



WINE PEGS

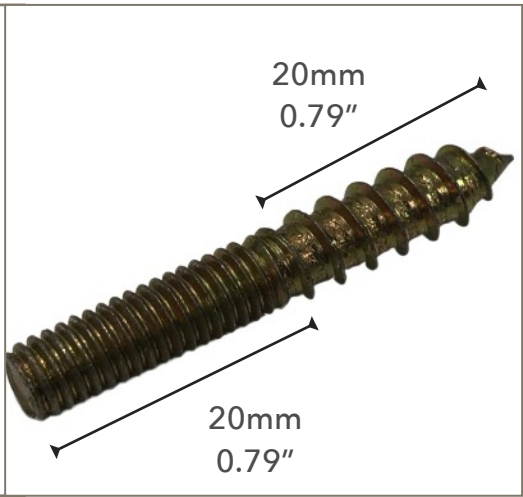
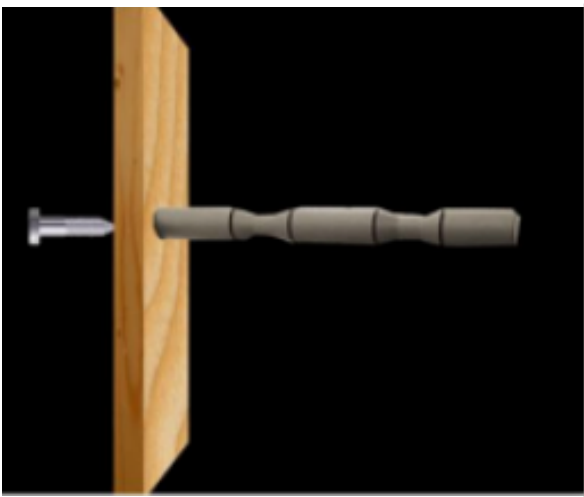
Installation Instruction

INSTALLATION METHOD A: WINE PEGS WITH SUPPORT BOARD

INSTALLATION METHOD B: WINE PEGS DIRECTLY ON THE WALL

A. INSTALL WINE PEGS TO THE WOOD BOARD THEN FIX IT ON THE WALL

1. To the wood board



Connector Bolt M6X30MM
Size: 6*30mm
Install the pegs from the back of the support board.

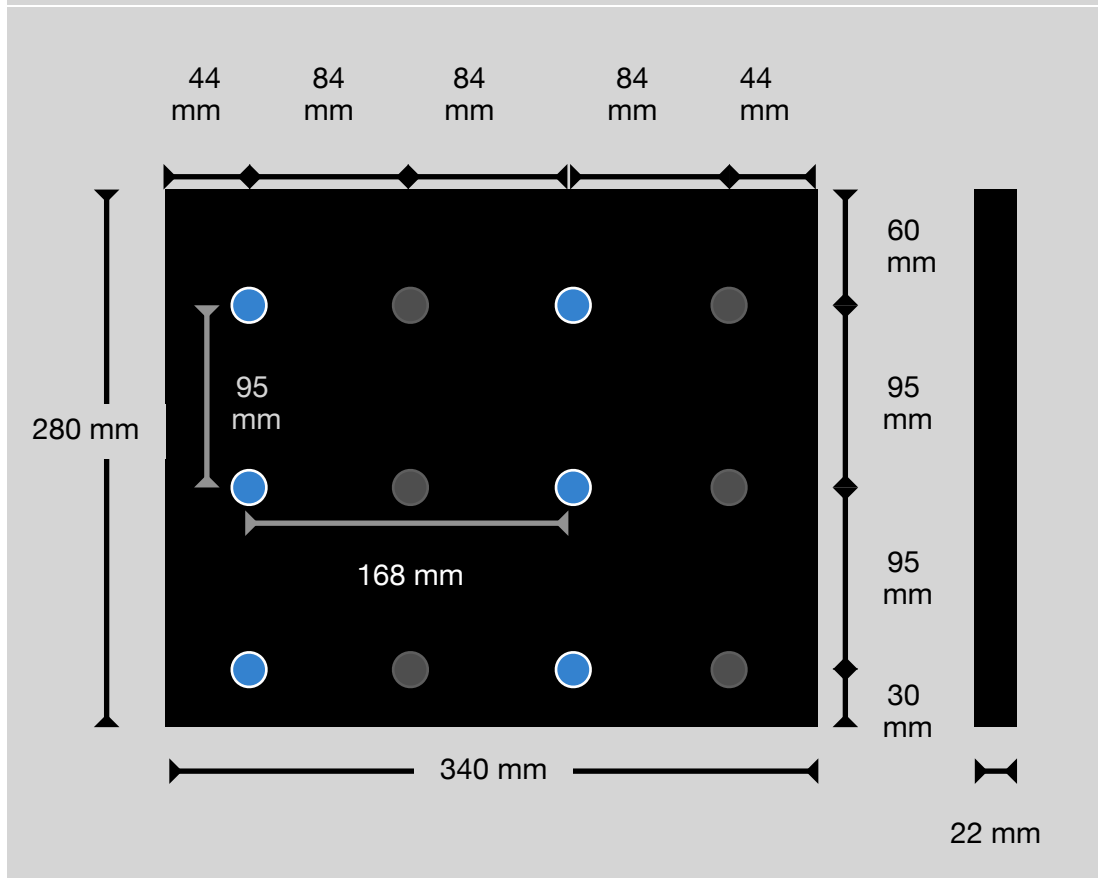
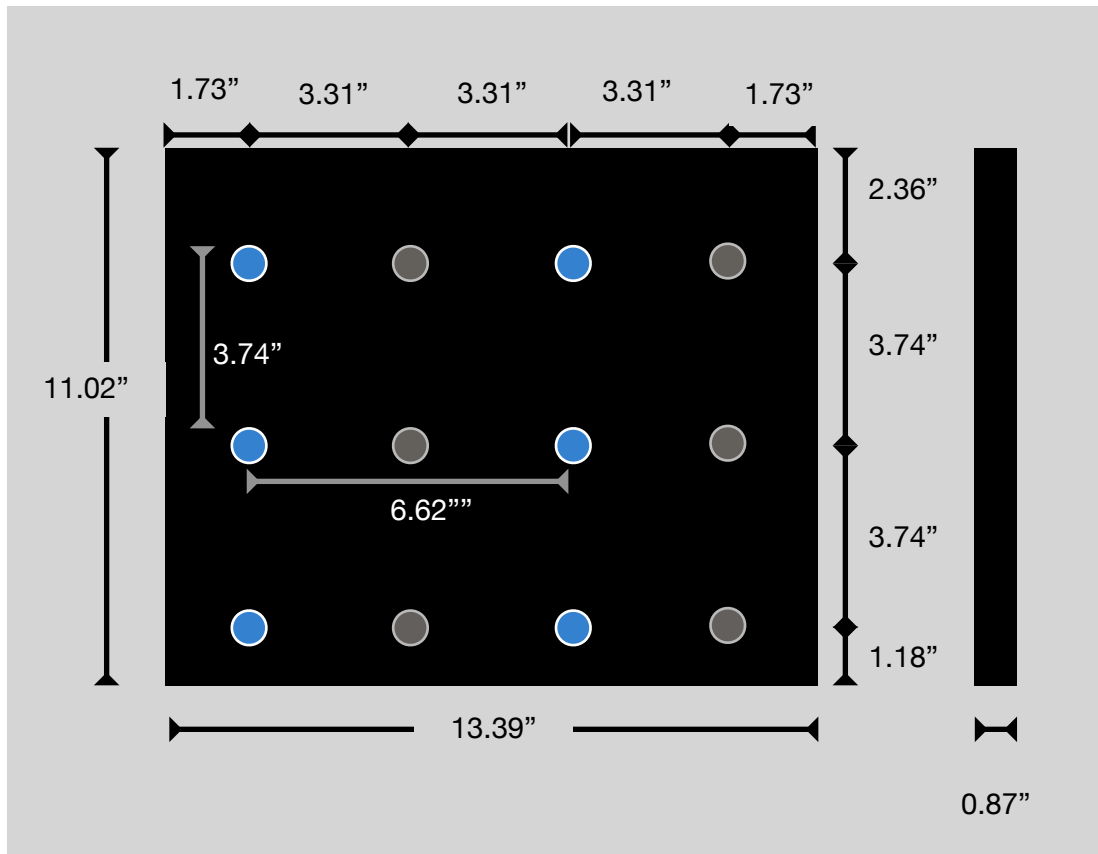
Hanger Bolt M6X50MM
Size: 6*50mm
Install the pegs from the front of the support board.

2. Fix on the wall

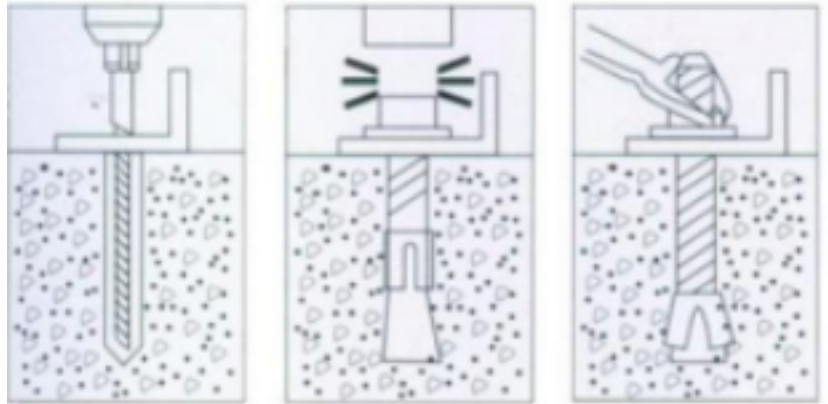


SUPPORT BOARD DIMENSIONS

NOTE: The pegs are supposed to install on the pre-drilled holes marked in blue.



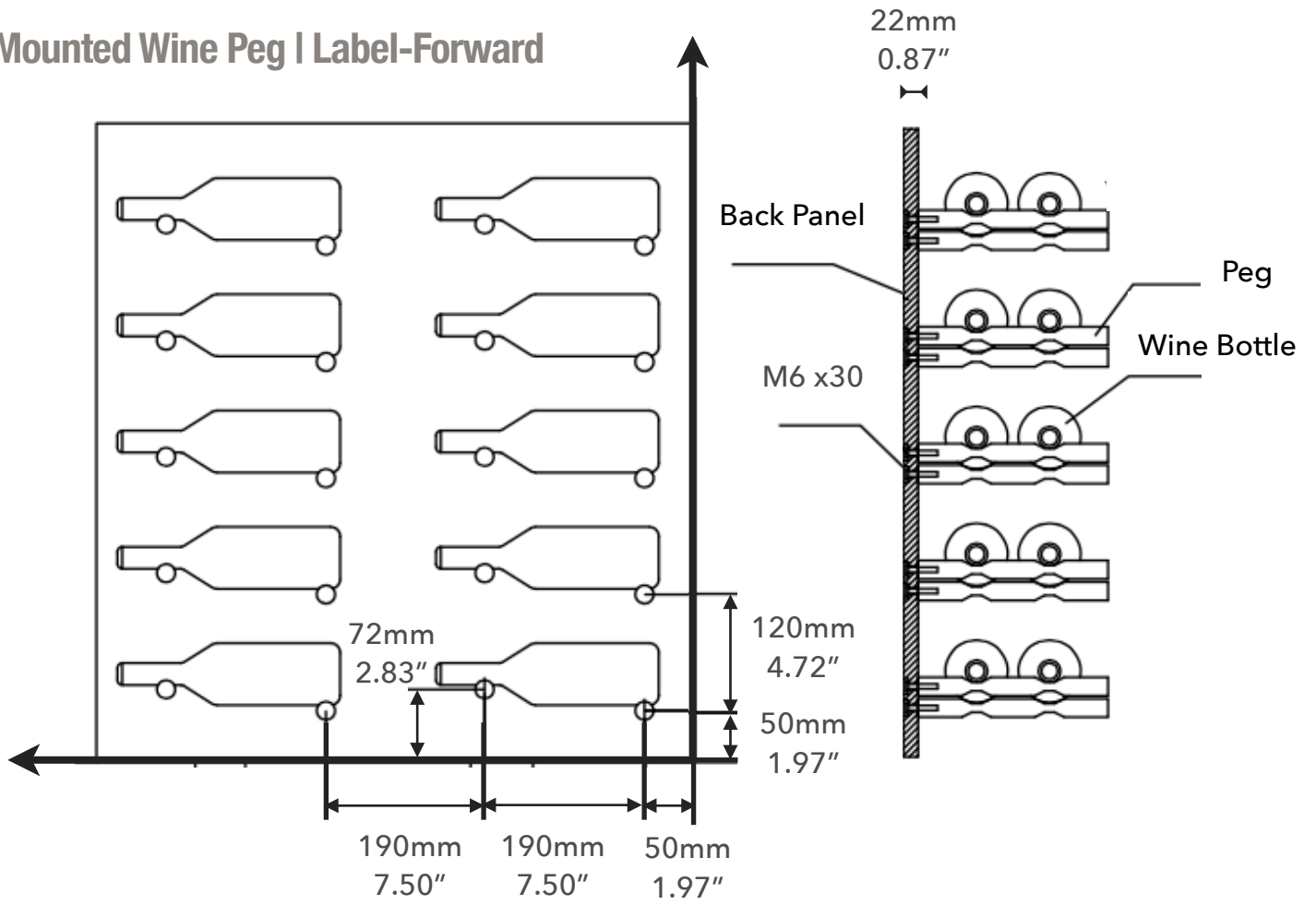
B. DIRECTLY FIX IT ON THE WALL



1. Drill holes on the wall using an electric driller
2. Put expansion screws into the holes
3. Tighten the expansion screws with a wrench
4. Screw in the wine pegs



Wall Mounted Wine Peg | Label-Forward



A GUIDE TO WALL-MOUNTED WINE RACK INSTALLATION ACROSS VARIOUS SURFACES

Installing a wall-mounted wine rack involves understanding the type of wall surface you're working with and choosing the appropriate mounting method to ensure a secure and stable setup. Here's a general guide based on various wall types:

For Wood or Stud Walls

Mounting on wood or studs is often preferred due to the stability they provide. Use wood screws to secure the wine rack directly into the studs, ensuring a solid hold. It's crucial to locate the studs in your wall and align the wine rack's mounting hardware with them for the best support.

For Laminate or Tile Surfaces

When installing on laminate or tile, it's important to know the material behind the surface, as that's what will primarily support the wine rack. Be cautious when drilling through these materials to avoid damage. You'll likely be drilling into drywall or plywood beneath the laminate or tile.

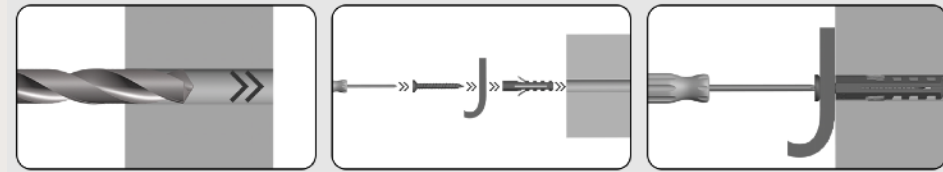
For Plasterboard (Drywall)

Drywall installations require the use of anchor systems to provide adequate support for the wine rack. Spiral inserts, toggle bolts, and other rated anchors are commonly used to secure racks to drywall, offering flexibility in placement and the ability to bear significant weight.

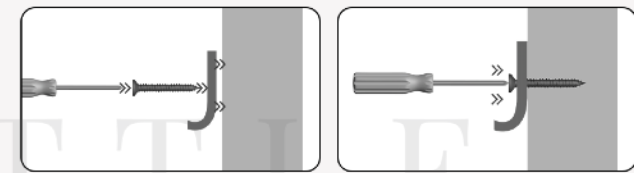
For Masonry Walls

For installations on masonry, such as concrete or stone walls, masonry anchors are necessary. These anchors are designed to hold considerable weight and are suitable for most stone walls. However, for more fragile masonry materials like brick, it's advisable to proceed with caution to prevent damage.

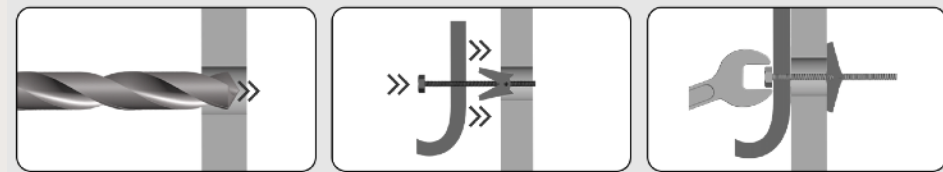
Solid wall installation mode



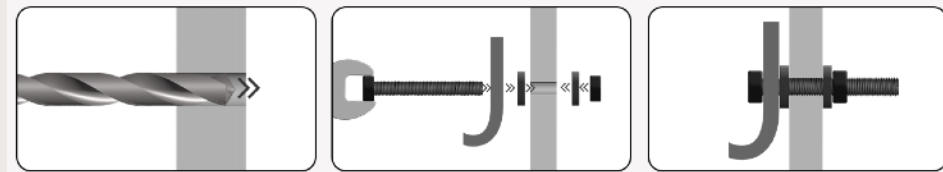
Wood wall installation



Hollow wall installation



Glass/acrylic wall mounting



A GUIDE TO WALL-MOUNTED WINE RACK INSTALLATION ACROSS VARIOUS SURFACES

INSTALLATION STEPS:

Measure and Plan:

Determine the placement of your wine rack and measure the distance between the mounting points.

Locate Studs: If installing on a wall with studs, use a stud finder to locate them for a more secure attachment.

Mark and Drill:

Mark the drilling points based on your measurements and the location of studs or the area you plan to use anchors. Drill holes for the screws or anchors.

Secure the Rack:

Attach the wine rack using the appropriate screws or anchors for your wall type, following any specific instructions included with your wine rack.