

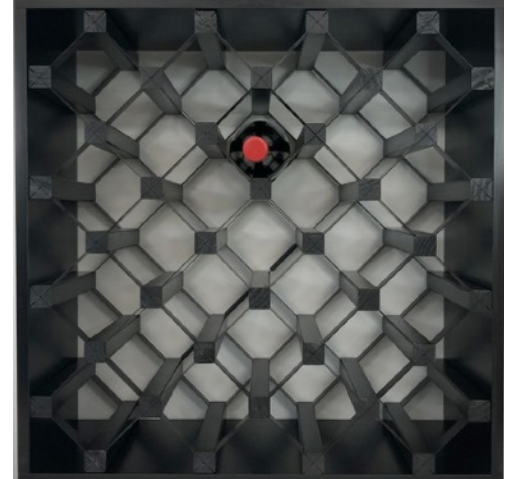
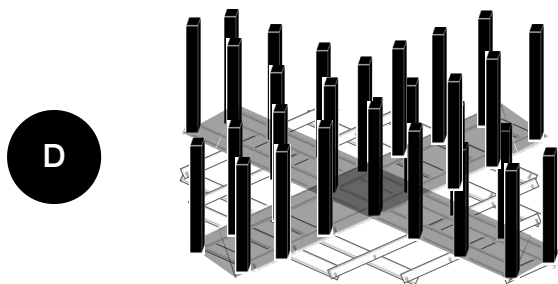
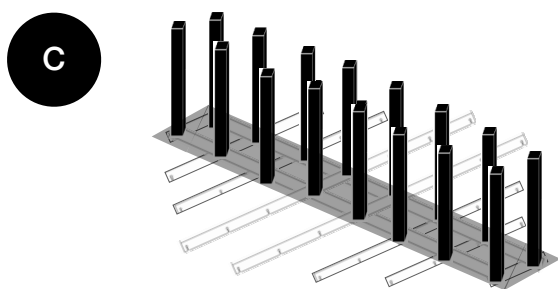
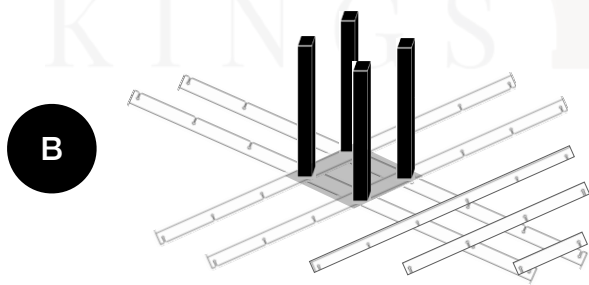
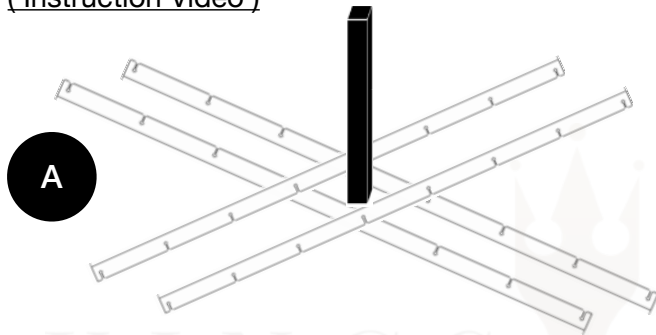
Wine Rack/Cube Assembly Instructions | WCD25



STEP 1 - BOTTOM FRAME

- Assemble the bottom metal frame on a flat surface.
- Line up and hammer the timber slats into the metal frames using a rubber mallet. Make sure it's fully hammered in.
- Start from the center.

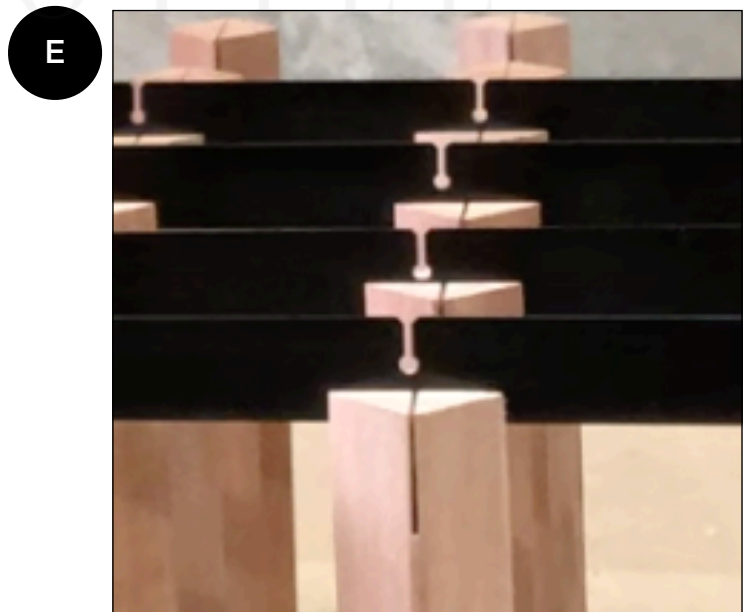
(Instruction Video)



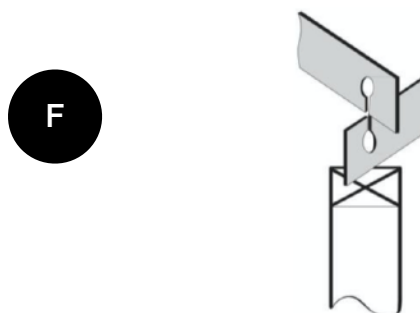
STEP 2 - TOP FRAME

- Insert one section of the metal frame **only halfway** down into the wood pieces.

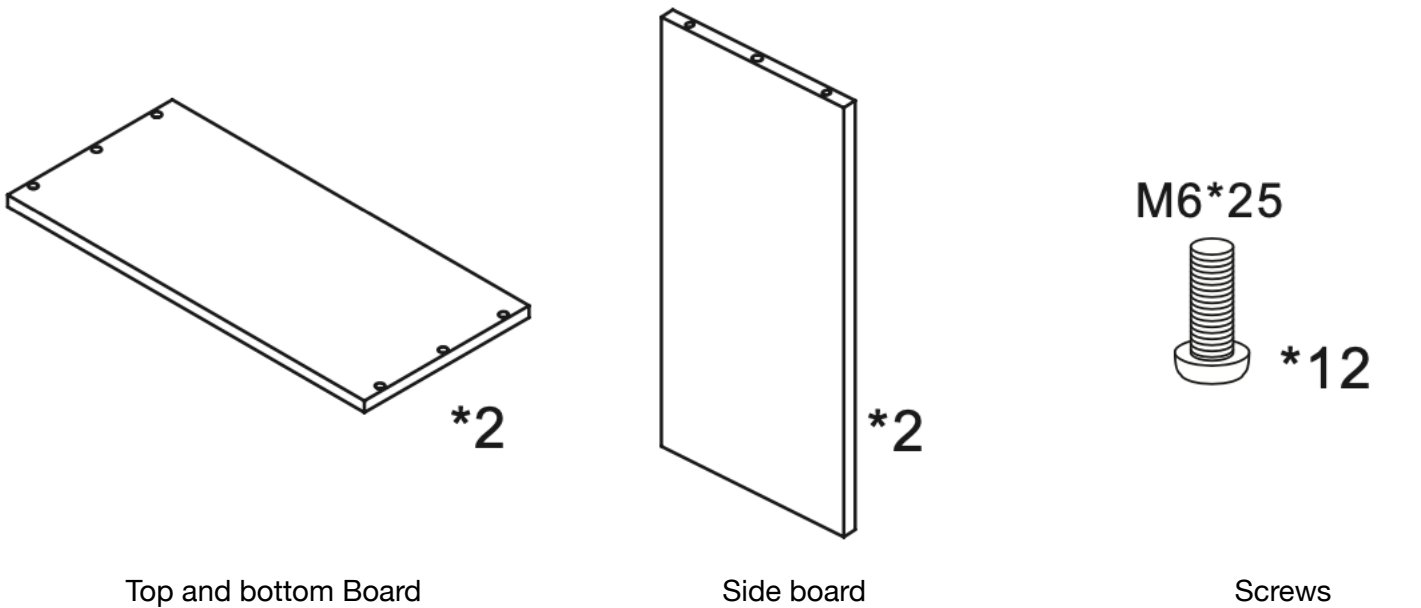
(Instruction Video)



- Insert the 2nd section of the metal frame into the 1st and use a rubber mallet to complete the installation into the wood pieces.



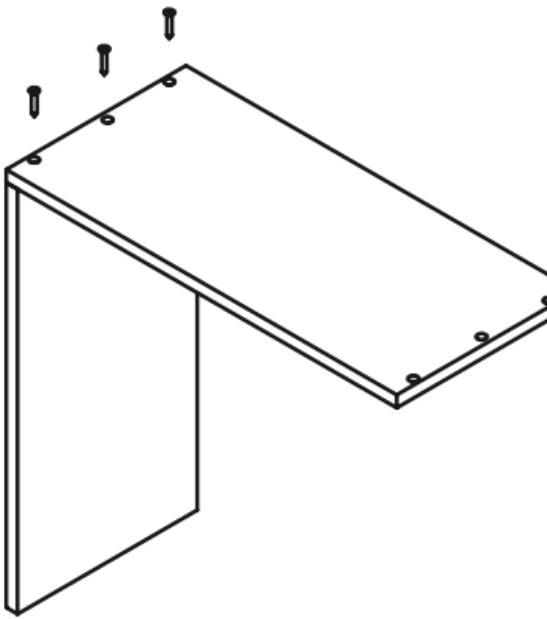
STEP 3 - ASSEMBLE THE CUBE FRAME



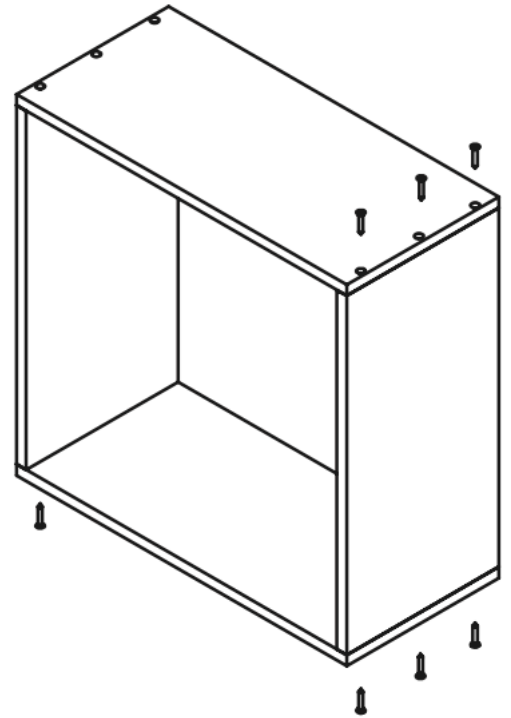
Top and bottom Board

Side board

Screws



Screw the top board into a side board as shown. Please do not tighten the screws



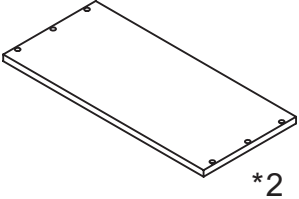
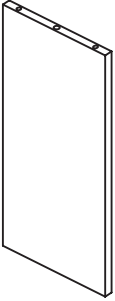
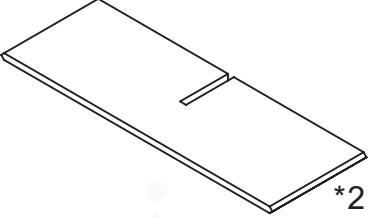
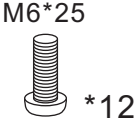

Screw the bottom board into the other side board same as previous step, then screw all boards.

STEP 4 - INSERT THE WINE RACK INTO THE CUBE FRAME

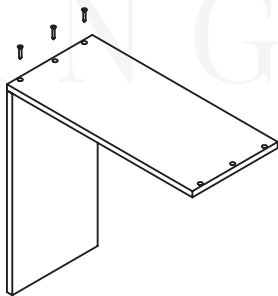
24 Bottle Wine Cube Assembly Instructions | WCD24



Parts included

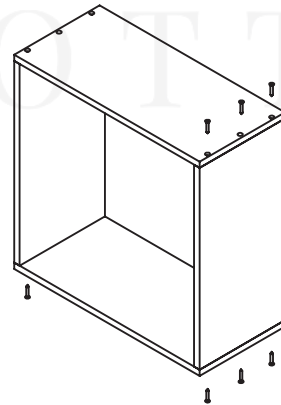
①	②	③	④	⑤
Top and bottom shelf	Side shelf	Middle shelf	Screws	Hex wrench
 *2	 *2	 *2	 M6*25 *12	 * 1,

Step1



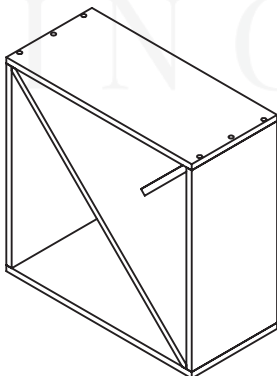
Screw the top shelf into a side shelf as shown. Please do not tighten the screws.

Step2



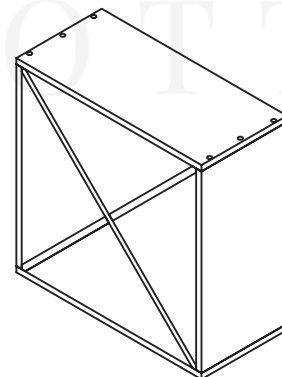
Screw the bottom shelf into the other side shelf same as step1, then screw all shelves.

Step3



Crossive insert two middle shelves into one, and then insert crossing middle shelves into the wood frame as shown.

Step4



Tighten all screws with a hex wrench to keep it stable.

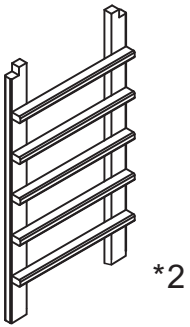
30 Bottle Lattice Cube Assembly Instructions | WCL30

KINGS BOTTLE

Parts included

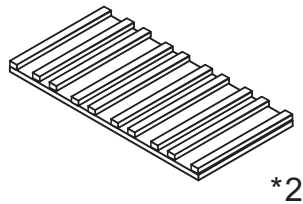
①

Side shelf



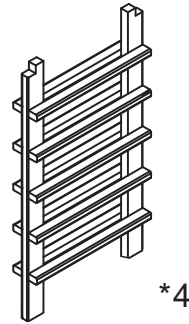
②

Top and bottom shelf



③

Middle shelf



④

Screw

M3.5*30

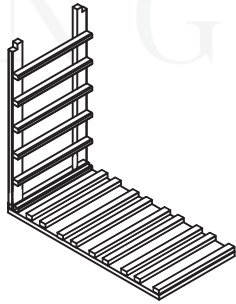


⑤

Wood plug

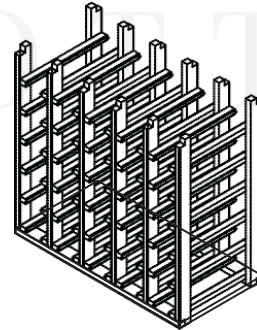


Step1



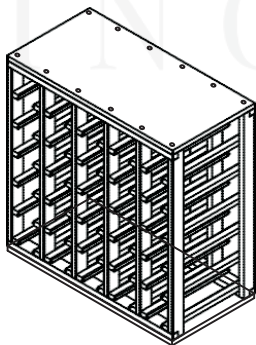
Screw a side shelf into the bottom shelf as shown.

Step2



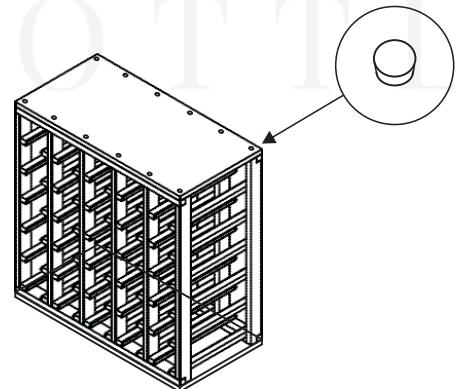
Screw 4 middle shelves into the bottom shelf one by one same as step1.

Step3



Screw the top shelf into the top of side and middle shelf as shown.

Step4



Cover the screw holes with wood plugs one by one as shown.

4 Column 24 Bottle Curved Corner Cube | WCC24

KINGS BOTTLE

KINGS BOTTLE

