

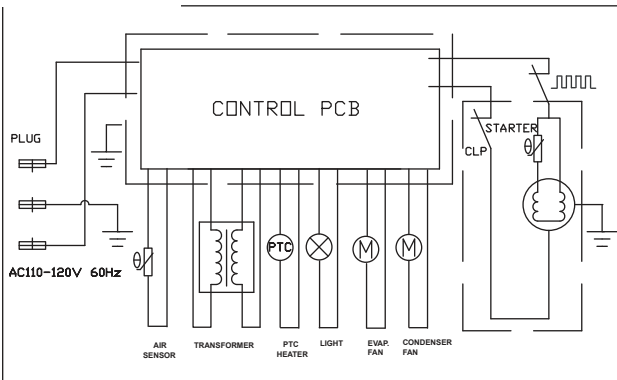


KINGS BOTTLE

WINE REFRIGERATOR

Model: KBU-170D

SERIAL NO:



DESIGN PRESSURE	
HIGH-SIDE	270Psi
LOW-SIDE	103Psi
REFRIGERANT	R600a
AMOUNT	45g
RATED VOLTAGE	110VAC
RATED FREQUENCY	60Hz
RATED CURRENT	1.1A
POWER INPUT	80W
NET WEIGHT	286Lbs
MANUFACTURED	

CONFORMS TO UL STD.250
CERTIFIED TO CAN/CSA STD.C22.2 NO.63-93



MADE IN CHINA